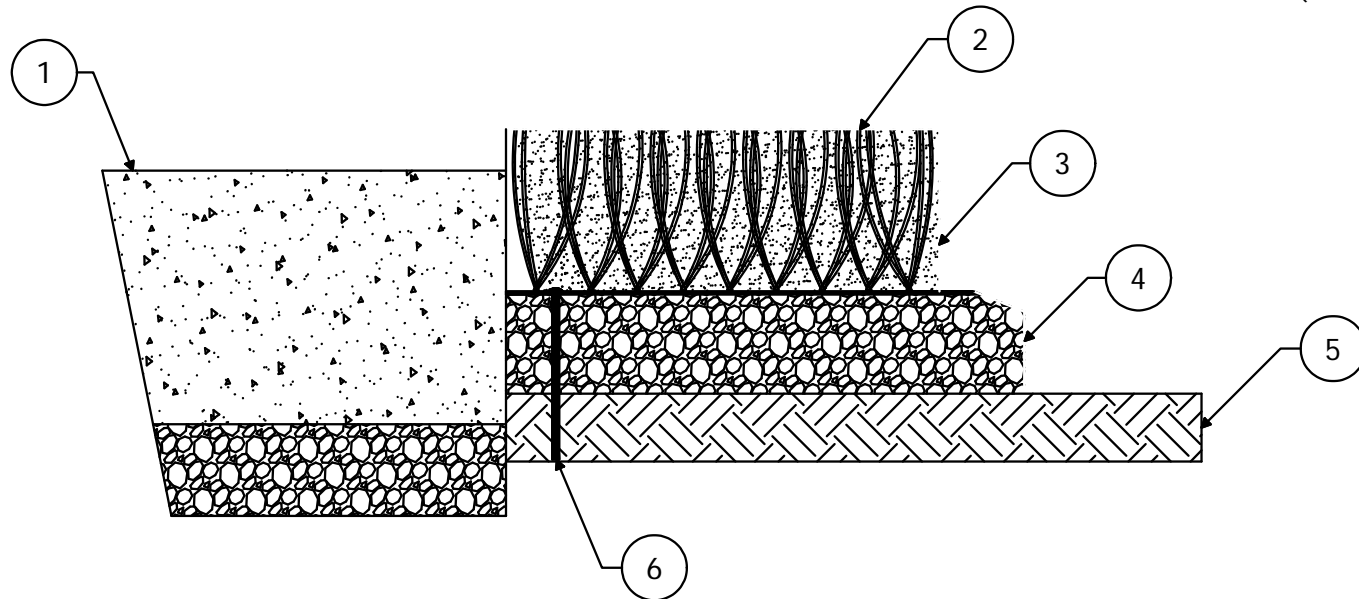


Robertson Industries, Inc. ~ A PlayCore Company

**DETAIL - 15: SYNTHETIC PLUS without
FALL HEIGHT ATTENUATION**

(Detail is N.T.S.)



- 1) Concrete Border/Walk
- 2) 1.75" ± .25" Synthetic Turf, Install Per Manufacturer's Specs.
- 3) .5" - .75" Synthetic Infill
- 4) 4" Min. Sub-Base (Concrete, Asphalt, or 95% Compacted Aggregate Installed in 2-2" Lifts), Slope 2% Max.
- 5) Existing Earth, 95% Compacted Sub-Grade, Slope 2%
- 6) Optional Landscape Nails (1' Min. O.C.)

(NO SCALE)

DATE: 02/17/10

SIGNED: _____
TITLE: _____
DATE: _____