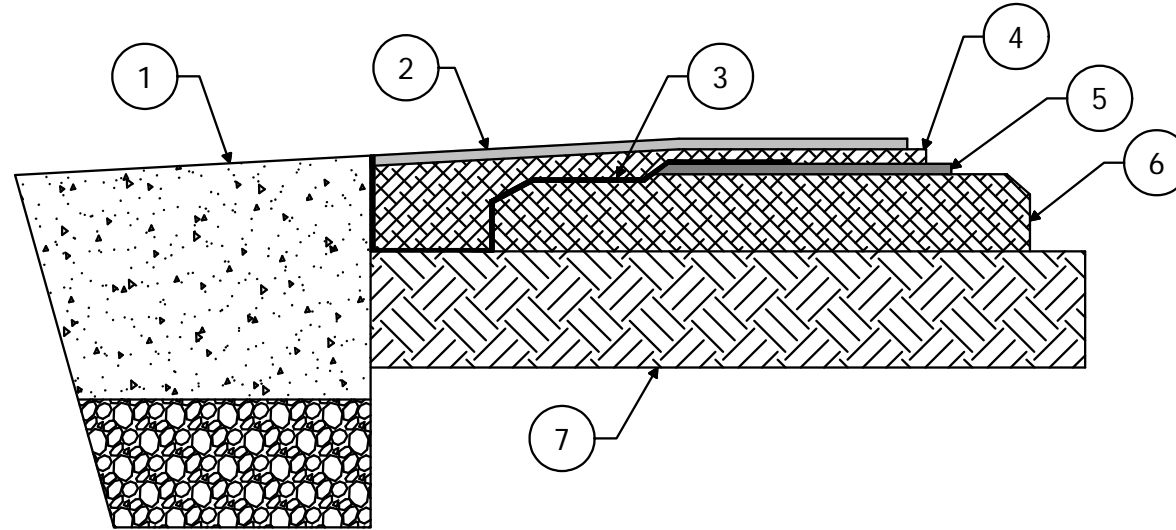


**DETAIL - 12: 1.5" RE-TOP with NEW BUFFINGS**

(Detail is N.T.S.)



- |  |  |
|--|--|
| 1) Concrete Border/Walk  | 4) New 1" Poured-In-Place Shredded SBR Cushion Layer |
| 2) New Poured-In-Place Wear Course, (2% Max Slope). Wear Course Depth Varies Based on Product Sold | 5) Existing Wear Course                              |
| 3) Primer Urethane to Adhere Edge at All Cut Back Areas  | 6) Existing Cushion Layer cut back 4"                |
|  | 7) Existing Earth, 95% Compacted Sub-Grade, Slope 2% |

(NO SCALE)

**DATE: 02/17/10**

SIGNED: \_\_\_\_\_  
TITLE: \_\_\_\_\_  
DATE: \_\_\_\_\_