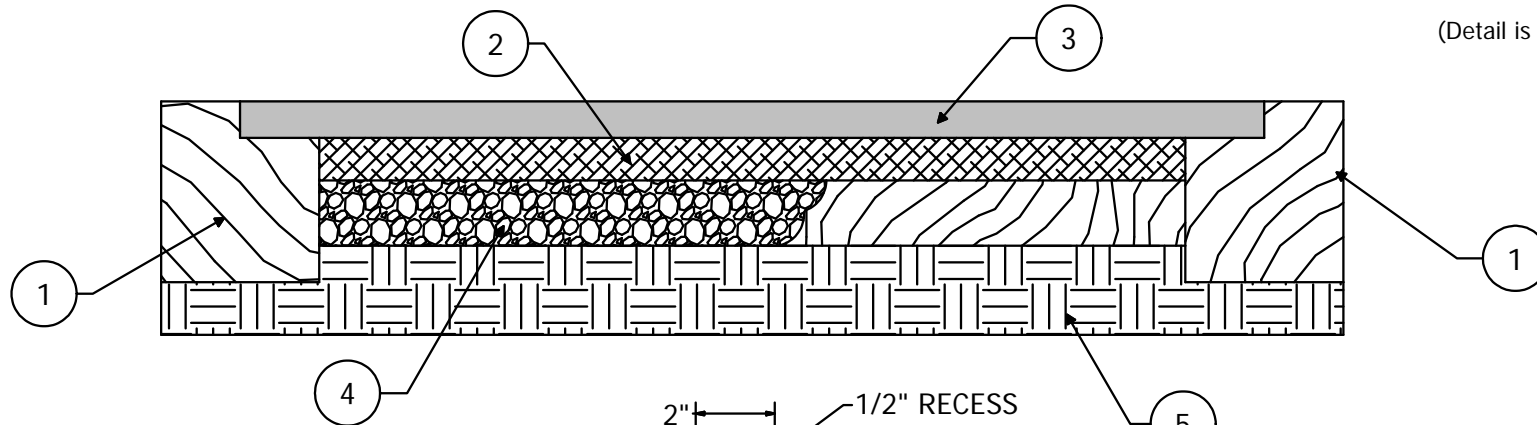


DETAIL - 2: CONCRETE BORDER OR WALKWAY
(NEW CONSTRUCTION)

(Detail is N.T.S.)



1) Concrete

2) Poured-In-Place Shredded SBR Cushion Layer (Depth Varies Depending Upon Fall Height of Equipment)

3) Poured-In-Place Wear Course, (2% Max Slope). Wear Course Depth Varies Based on Product Sold

4) 4" Min. Sub-Base (Concrete, Asphalt, or 95% Compacted Aggregate Installed in 2-2" Lifts), Slope 2% Max.

5) Existing Earth, 95% Compacted Sub-Grade, Slope 2%

(NO SCALE)

DATE: 02/17/10

SIGNED: _____
TITLE: _____
DATE: _____